

6.0” HAMMER – H 150 1400

A Dedicated Tool For 6 .0” (152mm) Drilling,
Suitable for DHD 360 shank.

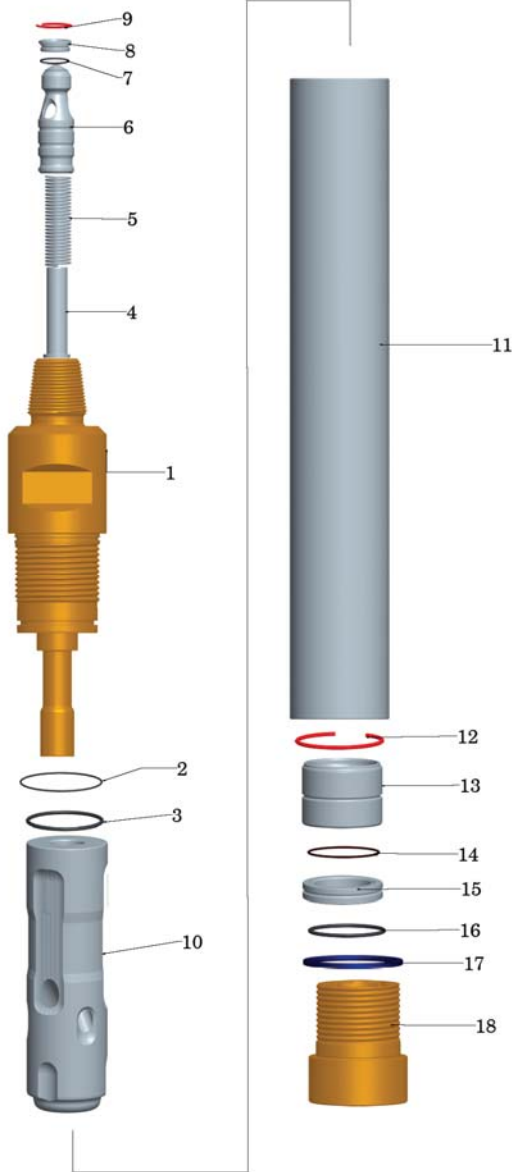
HAMMER SPECIFICATIONS



S.No	Description	mm	mm
1	Hammer Length(w/o bit)	mm	1210.0
2	Hammer Out side dia	mm	140.0
3	Hammer weight	kg	100.0
4	Cylinder Bore	mm	114.0
5	Piston stroke	mm	100.0
6	Piston weight	kg	23.2 KG
7	Hole sizes	---	152-165mm
8	Wrench Size A/Flat	----	101.0
9	Top Sub thread connection	-----	3 ½” API PIN
10	Suitable shank	-----	DHD 360 Bit

	<i>PSI</i>	<i>CFM</i>
<i>Air consumption</i>	200	550
<i>In CFM</i>	250	730
	300	850
	350	1070
	400	1200

PARTS EXPLODED VIEW



Sl No	Part.name	Qty	Part.no	Wt/kg	Rec spares
1	Top sub	1No	H1501401	30.0	---
2*	"O" Ring	1 No	H 1501402	0.01	1No
3*	"O" Ring	1 No	H 1501403	0.01	1No
4	Nylon Bush	1 No	H 1501404	0.05	1No
5*	Spring	1 No	H 1501405	0.07	1No
6	Check Valve	1 No	H 1501406	0.40	1No
7	Check Valve Guide	1 No	H 1501407	0.10	1 No
8*	"O" Ring	1 No	H 1501408	0.01	1No
9*	Circlip	1 No	H 1501409	0.06	1No
10	Piston	1 No	H1501410	23.20	---
11	Wear sleeve	1 No	H 1501411	32.90	---
12	Snap Ring	1 No	H 1501412	0.10	1No
13	Guide bush	1 No	H 1501413	2.25	---
14*	"O" Ring	1 No	H 1501414	0.01	1No
15	Bit Ret Ring	1 No	H1501415	0.75	---
16*	"O" Ring	1 No	H1501414	0.01	---
17	Drive sub spacer	1 No	H1501415	0.25	----
18	Drive sub	1 No	H1501417	7.00	----
15	Service kit *** (P.No:2,3,5,8,9 14,&16)	1 Kit		0..25	1 set
16	Hammer assembly	1 No	H1501400	100kg	